

ENFORCER[®]

VIDEO

16-Port Passive Transceiver Hub

EVT-PH16-4T2

Range: Up to 2,000' (6100m)
Video ● Data ● Surge Protection

The EVT-PH16-4T2 allows up to 16 color or monochrome CCTV cameras to be connected via inexpensive CAT 5e unshielded twisted pair (UTP) cable to a video switcher or multiplexer. It cuts the cost and complexity of security networks by eliminating the need to run expensive coax cable to multiple CCTV cameras. A built-in RS485 port allows the transmission of PTZ (pan/tilt/zoom) signals to up to 16 CCTV cameras or other devices.

Features:

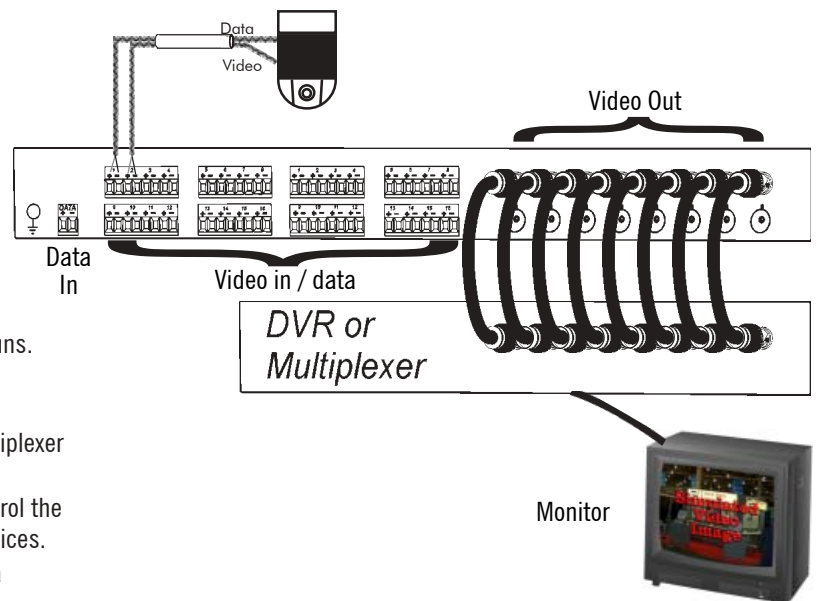
- ▶ Connects up to 16 CCTV cameras using low-cost CAT 5e UTP cable to a central location.
- ▶ Works in conjunction with passive video or active video baluns.
- ▶ Works with full-motion CCTV cameras up to 2,000 feet (610 meters) away via passive video baluns.
- ▶ Feeds the camera signals to nearly any standard video multiplexer or switcher or digital video recorder via coax cables.
- ▶ Built-in RS485 port connects to a PC or other device to control the pan, tilt, and zoom (PTZ) of up to 16 remote cameras or devices.
- ▶ Compact enclosure, only 1U (1.75 inches) high. Mounts in a standard 19-inch rack.
- ▶ Built-in transient protection and interference technology for existing UTP cables.
- ▶ Complete passive operation, no power required.

Specifications:

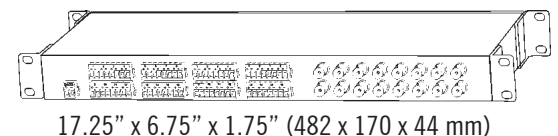
Video input ports	16 x 2-wire ports on removable terminal blocks
Video input cables	Unshielded twisted pair (UTP), min. CAT 2. Use CAT 5e or better for best range and video signal.
Video output ports	16 x BNC connectors, each 1Vp-p, 75 ohms.
Video output cables	Coax.
Data input	1 x 2-wire port, for PTZ control signals from a PC.
Data output	16 x 2-wire ports on removable terminal blocks.
Power	No power required.
Surge protection	Video and data
Size	1U form factor, 17.25" x 6.75" x 1.75" (482 x 170 x 44 mm)
Weight	4.9 lb. (2.2kg)
Material	Steel cabinet, black matte finish.



Typical Installations:



Dimensions:



The SECO-LARM policy is one of continual development. For that reason, SECO-LARM reserves the right to change prices and specifications without notice. SECO-LARM is not responsible for misprints. Balunse.pmd

SECO-LARM[®] U.S.A., Inc.,
Tel: 1-949-261-2999 (California & International)

16842 Millikan Avenue, Irvine, CA 92606
Fax: 1-949-261-7326

Tel: 1-800-662-0800 (Domestic U.S. & Canada)
Email: info@seco-larm.com Website: www.seco-larm.com